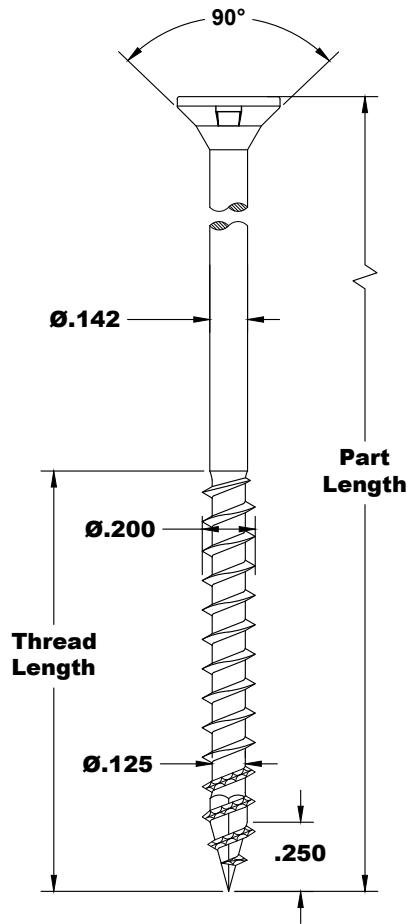
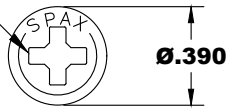


T-20
T-STAR plus



#2 Unidrive
(#2 Sq. / #2 Phillips)



#10 MULTI-PURPOSE SCREW FLAT COUNTERSUNK HEAD



Size	Part Length	Thread Length	
		Full	Partial
#10 X 3/4"	0.750	Full	-
#10 X 1"	1.000		-
#10 X 1-1/4"	1.250		-
#10 X 1-1/2"	1.500		1.000
#10 X 2"	2.000		1.250
#10 X 2-1/2"	2.500*	2.275	1.600*
#10 X 3"	3.000	2.375	1.600
#10 X 3-1/2"	3.500		2.375
*Thread length for #10 x 2-1/2" Stainless Steel = 1.450			
*Part length for #10 x 2-1/2" Stainless Steel = 2.375			

Notes:

- Nominal dimensions in inches with no tolerances
- Information contained in this document is subject to change and periodic updates. Please contact SPAX or refer to spax.us for current product information including available material types (i.e. carbon or stainless steel), and available coating options.

	SCALE NOT-TO-SCALE	DRAWN KLS	DESCRIPTION #10 MULTI-PURPOSE SCREW FLAT COUNTERSUNK HEAD		REV REV
	DATE 6/7/19	CHECKED CHECKED	SIZE A	DWG NO CP-XF_10	
	SHEET 1 of 1	APPROVED APPROVED			
	<small>PROPRIETARY - THIS MATERIAL IS THE SOLE PROPERTY OF ALTENLOH, BRINCK AND CO. U.S., INC. AND IS NOT TO BE REPRODUCED OR DISTRIBUTED WITHOUT PRIOR WRITTEN CONSENT FROM ALTENLOH, BRINCK AND CO. U.S., INC.</small>				