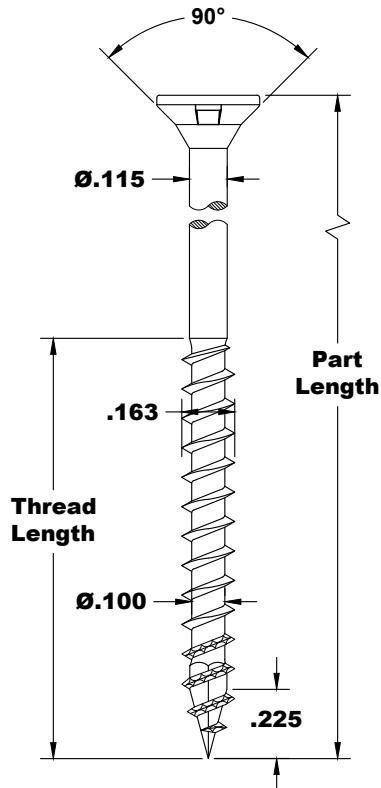
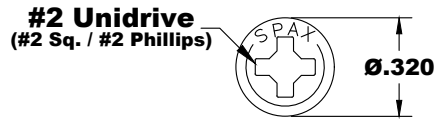
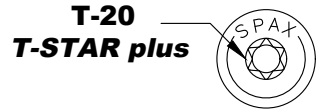


#8 MULTI-PURPOSE SCREW FLAT COUNTERSUNK HEAD



Size	Part Length	Thread Length	
		Full	Partial
#8 x 5/8"	0.625	Full	-
#8 x 3/4"	0.750		-
#8 x 1"	1.000		-
#8 x 1-1/4"	1.250		0.670
#8 x 1-1/2"	1.500		0.865
#8 x 1-3/4"	1.750		1.140
#8 x 2"	2.000		1.240
#8 x 2-1/2"	2.500	1.970	1.340

Notes:

-Nominal dimensions in inches with no tolerances

-Information contained in this document is subject to change and periodic updates. Please contact SPAX or refer to spax.us for current product information including available material types (i.e. carbon or stainless steel), and available coating options.



SCALE NOT-TO-SCALE	DRAWN KLS	DESCRIPTION #8 MULTI-PURPOSE SCREW FLAT COUNTERSUNK HEAD	
DATE 6/11/19	CHECKED RK	SIZE A	CP- CP-XF_08
SHEET 1 of 1	APPROVED DJK	REV -	