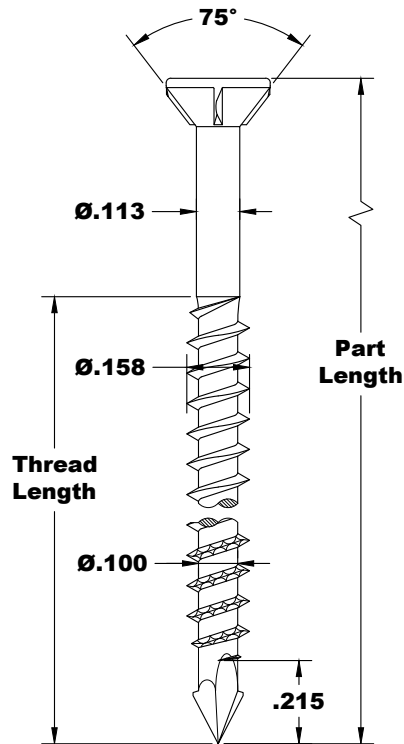
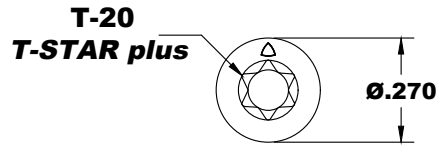


# #8 MDF / HARDWOOD SCREW T-STAR plus



Size	Part Length	Thread Length
#8 x 1-3/4"	1.750	1.160
#8 x 2-1/2"	2.500	1.495

**Notes:**

- Nominal dimensions in inches with no tolerances
- Information contained in this document is subject to change and periodic updates. Please contact SPAX or refer to [spax.us](http://spax.us) for current product information including available material types (i.e. carbon or stainless steel), and available coating options.

	SCALE <b>NOT-TO-SCALE</b>	DRAWN <b>KLS</b>	DESCRIPTION #8 MDF / Hardwood Screw T-STAR plus		REV A
	DATE 7/25/19	CHECKED <b>CHECKED</b>			
	SHEET 1 of 1	APPROVED <b>APPROVED</b>	SIZE <b>A</b>	CP- <b>CP-XMT08</b>	

PROPRIETARY - THIS MATERIAL IS THE SOLE PROPERTY OF ALTENLOH, BRINCK AND CO. U.S., INC. AND IS NOT TO BE REPRODUCED OR DISTRIBUTED WITHOUT PRIOR WRITTEN CONSENT FROM ALTENLOH, BRINCK AND CO. U.S., INC.